

LO-PRO™ Airport Barricade



TRAFFIC SAFETY
SUPPLY COMPANY



360° RED SOLAR LED

- Ambient light sensing
 - turns on automatically in low light
 - photocell sensitivity - 100-250 lux
- 4 LED bulbs
 - brightness - 4.5 Candelas
- Flashes 50 to 55 times per minute
- Standard 2" straight pipe thread for easy installation

PRODUCT DESCRIPTION

- 8 ft. long and 10 in. high barricade, units interlock
- Durable construction, 25 lbs.
 - enhanced wall thickness on barricade bottom
 - molded reinforcing ribs add stiffness and strength
- Connectors are molded into the barricade, no pins to lose
 - allows interconnected units to pivot in multiple orientations between 90° and 180°
- 7° angled sidewall
 - facilitates visibility
 - accepts 72"L x 6"H continuous retroreflective sheeting
- Fill with up to 220 lbs. (26 gallons) of water
 - two fill holes and one drain hole
- Accepts two styles of lights
 - 360o round, screw on airport lights
 - standard barricade, bolt on lights
- Two flag mounts
- FOD (foreign object debris) Free
- Forklift access, recessed areas at bottom of barricade
- Stackable for transportation and storage
 - multiple stacking lugs keep units in place while stacked
- FAA Advisory Circular No. 150/5370-2F compliant

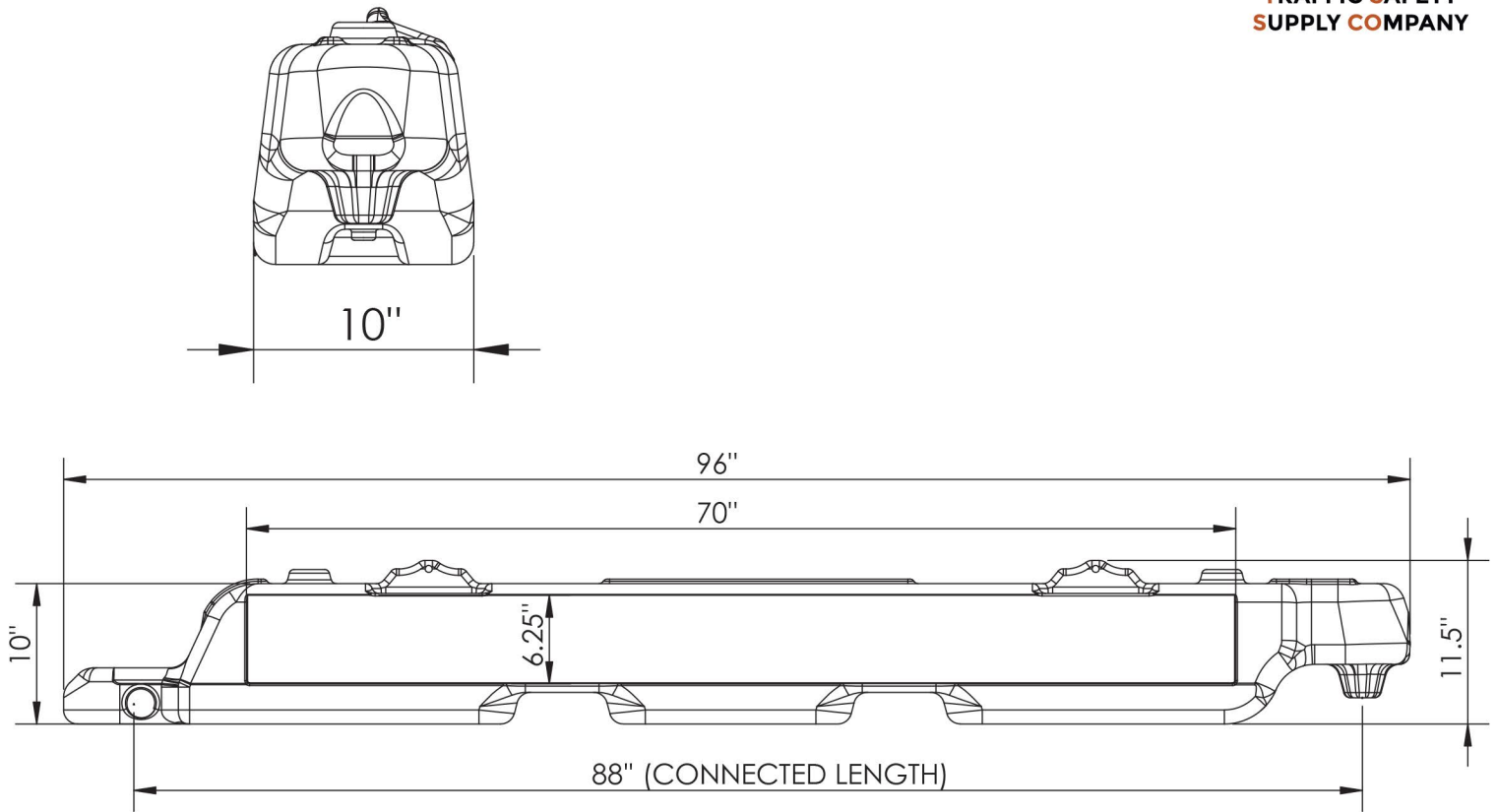
Specifications	
Composition	High Density Polyethylene
Weight	25 lbs.
Color	Orange & White, other colors are available with minimum purchase quantity
Retroreflective Sheeting	72" L x 6" H striped sheeting available in High Intensity Prismatic Grade and Diamond Grade
Light	Each unit accepts two standard barricade lights (needs 4" bolt) and two 360° round airport lights
Flags	Each unit accepts two 3/4" diameter post flags

Note: Specifications are approximate and subject to change. Some parts shown may be for illustration purposes only.

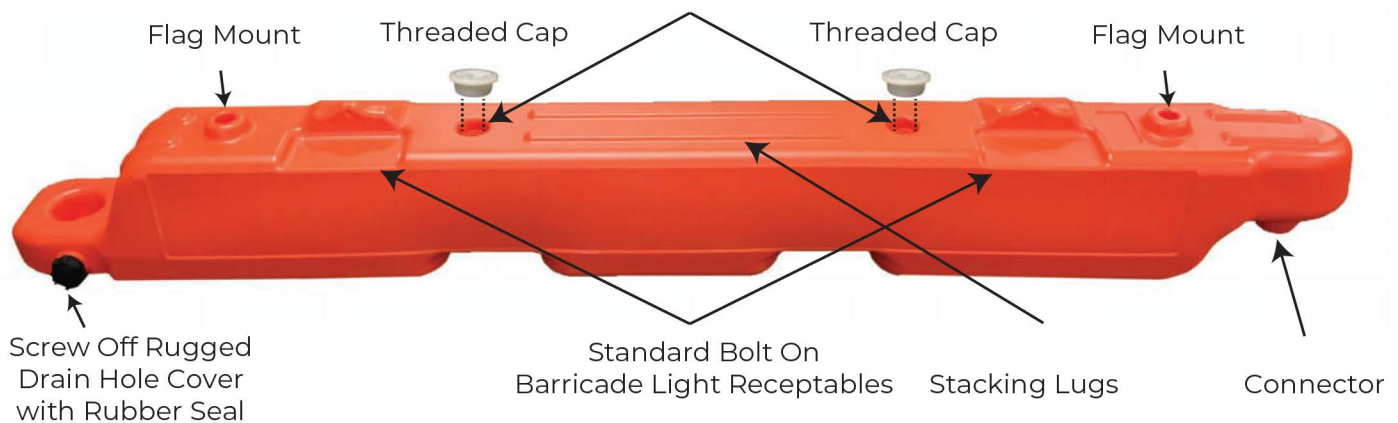
LO-PRO™ Airport Barricade



TRAFFIC SAFETY
SUPPLY COMPANY



Water Fill Holes with Screw On Caps
Double as 360° Round Airport Light Receptacles



No Tools Needed!

Note: Specifications are approximate and subject to change.
Some parts shown may be for illustration purposes only.