

Tubular Markers

Delineator



**TRAFFIC SAFETY
SUPPLY COMPANY**



Long Squeeze

Short Squeeze

Black Cap or Open Top

Color options:



PRODUCT DESCRIPTION

IRS Tubular Markers may be used effectively as opposing lane dividers of traffic, divide traffic when two or more lanes are kept open in the same direction, channelize traffic in exit only applications, for urban turn restrictions, for indicating changes of alignment in the roadway and to delineate edge of pavement drop off where space limitations do not allow the use of larger systems.

Tubular Markers are ideal for use in parking garages, parking lots and special event facilities. Tubular Markers come standard with our patented reactive spring system that allows the markers to withstand multiple impacts and return to their original position without any vertical listing.

RECOMMENDED USE

- » Ideal when increased visibility & channelization is needed.
- » Use for indicating alignment in roadway, atop Tuff Curb® systems, in parking garages and in parking lots.

FEATURES

- » Yields Fully upon impact
- » Anti-Twist Reactive Spring assembly returns unit to upright position when struck.
- » Quick, Easy Installation
- » Retro-Reflective sheeting
- » Durable HDPE Plastic is resistant to ozone, UV light & hydrocarbons.
- » Vivid Integral Color
- » MUTCD compliant

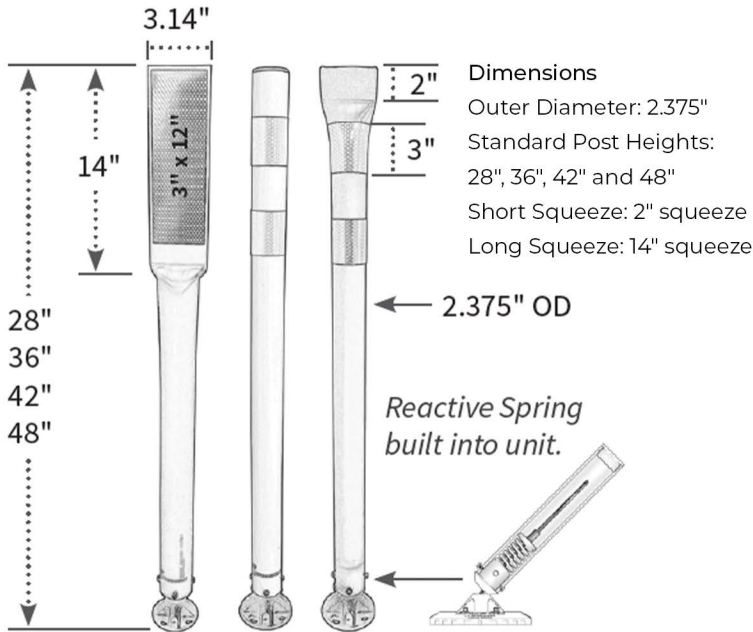
All Specifications Subject to Change Without Notice

Tubular Markers

Delineator



TRAFFIC SAFETY
SUPPLY COMPANY



SPECIFICATIONS

POST

Material: Flexible HDPE plastic

Colors: White, yellow, orange, red, gray, black or green

Post Style:

- » Long squeeze (14" from top)
- » Short squeeze (2" from top)
- » Black cap (Black plastic)
- » Open top

REACTIVE SPRING

Type: Fixed, quick release or drivable

REFLECTIVE SHEETING

Retro-Reflective Sheeting:

- » High-Intensity sheeting or
- » Diamond grade sheeting

Colors: White, yellow, orange, red, green or blue

Included Sheeting:

- » Long Squeeze: Single sheet 3" x 12" reflective sheet included. (Double-side sheeting available.)
- » Short Squeeze, Black Cap & Open Top: Two 3in bands included. Custom configurations available.

All Specifications Subject to Change Without Notice

BASE OPTIONS

Base and base mounting hardware is sold separately.

SURFACE MOUNT BASE

Fixed or Quick Release Model

- » Durable HDPE plastic
- » Colors: Black, yellow or white
- » 8" x 8" x 1"
- » Installs with anchors or epoxy

DRIVABLE BASE

For In-Ground Installations

- » 12-gauge perforated steel tubing
- » 2" x 2" x 18"

IMPACT TRAFFIC CHANNELIZER CURB

Tuff Curb™ or Tuff Curb XLP™

- » Colors: Yellow, white or Green(XLP)