

Vehicle-Mounted Arrow Boards



TRAFFIC SAFETY
SUPPLY COMPANY



DESCRIPTION

Work Area Protection Vehicle-Mounted Arrow Boards are your best choice for jobs that keep you on the move enabling the user to signal, control and direct vehicle traffic through construction zones and roadside incident areas. The durable, all-weather aluminum units are easy to deploy and ideal for short or long term projects.

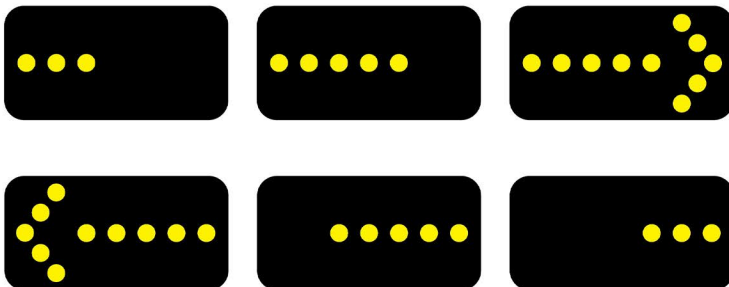
The system incorporates a "non-blinding," minimum glare, electrooptical design to reduce nighttime blinding issues that exist on conventional advance warning systems.

FEATURES

- Available in 3 sizes: 48" x 24", 60" x 30", 72" x 36"
- 48" x 24" Only available in 15 light model; 60" x 30" and 72" x 36" both available in 15 and 25 light models
- Durable, lightweight, all weather, aluminum construction
- Equipped with a spring-loaded locking device for added stability in both travel and display positions
- Available in manual or optional power actuated lift models
- Available in Par 36 or 46 LED Lamps
- Solid state controller provides photocell dimming to reduce nighttime glare
- Complies with MUTCD requirements
- Optional wireless, hand-held controller available

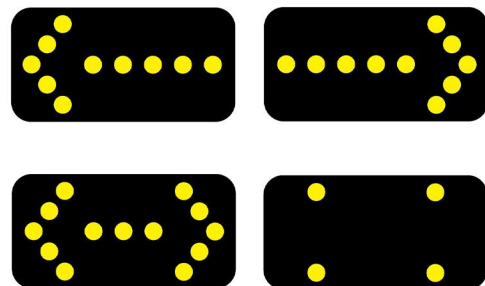
Straight up...
the best arrow board available

25-LIGHT DISPLAY MODES



Note: Specifications are approximate and subject to change.
Some parts shown may be for illustration purposes only.

15-LIGHT & 25-LIGHT DISPLAY MODES

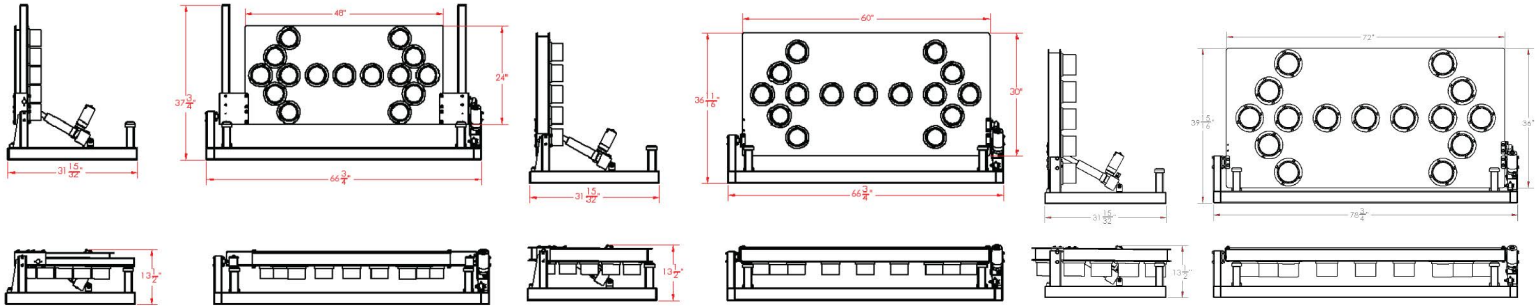


Vehicle-Mounted Arrow Boards



**TRAFFIC SAFETY
SUPPLY COMPANY**

ARROW BOARD SPECIFICATIONS



48" X 24"

Operating Temperature: -40°F to 120°F

Shipping Weight - 125 lbs

Available in 15 lamps only

Frame - Black Powder Coat, 3"x 2" Square steel tubing,

2"x 2" Square steel tube support frame

Power System - Runs off any 12 Volt Vehicle power system

Vehicle Cab Control - 7 Modes of operation

30" X 60"

Operating Temperature: -40°F to 120°F

Shipping Weight - 120 lbs

Available in 15 and 25 lamps

Frame - Black Powder Coat, 3"x 2" Square steel tubing,

2" x 2" Square steel tube support frame

Power System - Runs off any 12 Volt Vehicle power system

Controller - In cab controller - 7 Modes of operation for 15 light and 10 modes for 25 light

72" X 36"

Operating Temperature: -40°F to 120°F

Shipping Weight - 140 lbs

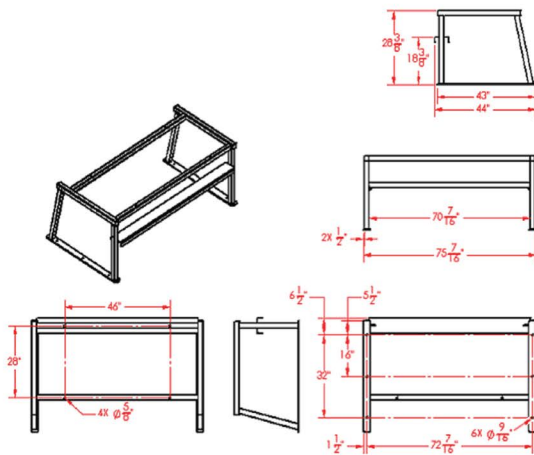
Available in 15 and 25 lamps

Frame - Black Powder Coat, 3"x 2" Square steel tubing,

2" x 2" Square steel tube support frame

Power System - Runs off any 12 Volt Vehicle power system

Controller - In cab controller - 7 Modes of operation for 15 light and 10 modes for 25 light

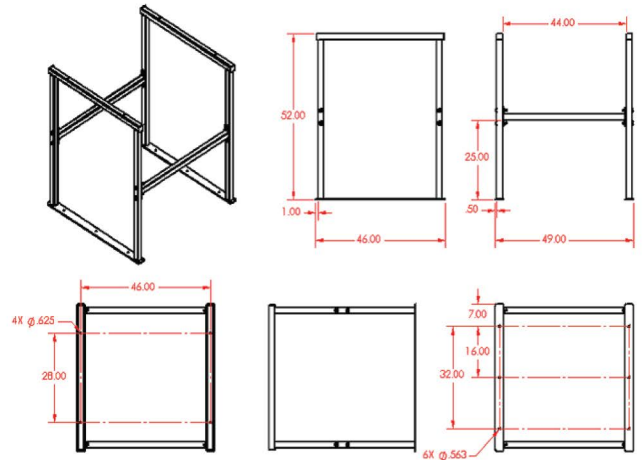


BED RAIL MOUNT FRAME

Can mount directly to vehicle bed rail by altering frame width.

Bracket can be used so that no drilling will have to be performed on truck bed itself.

Custom sized units are also available.



BED MOUNT FRAME

Mounted directly to vehicle bed.



DISCLAIMER

Designs are subject to change without prior notice. Any modification or unintended use voids all warranties.

Hill & Smith Inc. disclaim all liabilities for injuries to persons or property due to any modification or unintended use of these products.

U.S. Patents

Channelizer Cones U.S. Patent D485,775

Optics for Advance Warner U.S.

Patent 5,174,649

Note: Specifications are approximate and subject to change. Some parts shown may be for illustration purposes only.