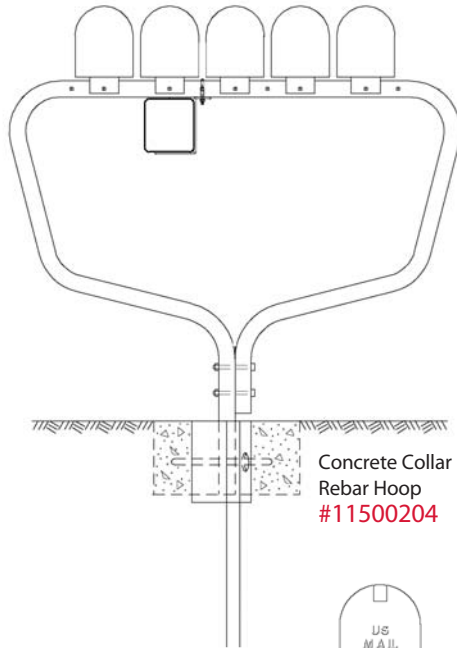


# MAILBOX SUPPORT SYSTEMS

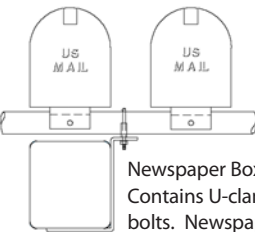
HOME

PRODUCTS

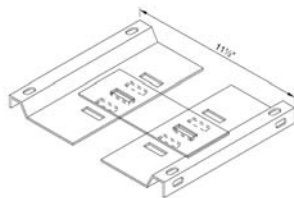


Oregon Spec Multiple Mailbox Support kit  
Includes multiple tube support, V-loc socket and wedge  
**#15002**

Oregon Spec Multiple Mailbox Bracket  
For size 1 and 1-A Mailboxes.  
Contains 2 ea 1/2 brackets, 2 ea 3" bolts, nuts, and washers,  
2 ea 1" bolts, nuts, and washers, and 2 ea 2-holed  
galvanized angles.  
**#1500**

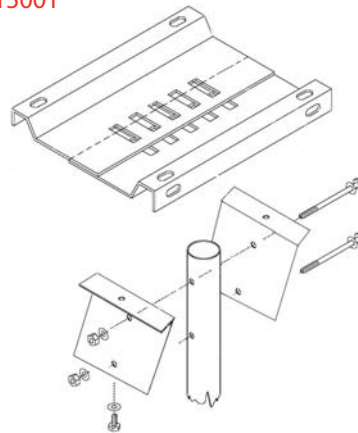


Newspaper Box Holder  
Contains U-clamp and  
bolts. Newspaper box  
not included.  
**#11500202**



Adapter Plate for Mounting a Size 2 Mailbox  
**#11500500**

Oregon Spec Single Mailbox Support Kit  
Includes single 2" O.D. 52" Tube, V-Loc socket and wedge.  
**#15001**



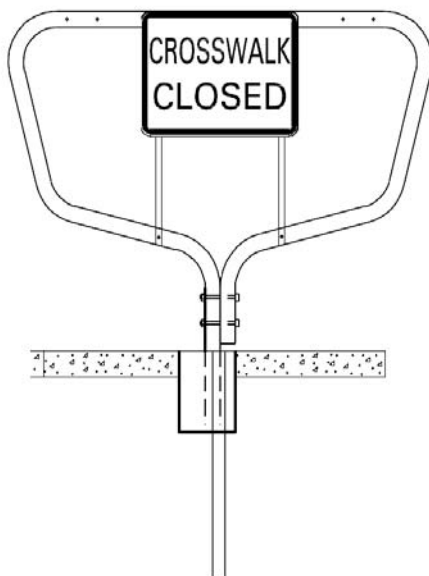
Oregon Spec Single Mailbox Bracket  
For size 1 and 1-A Mailboxes.  
Contains 2 ea 1/2 brackets, 2 ea 3" bolts, nuts, and washers,  
2 ea 1" bolts, nuts, and washers, and 2 ea 3-holed galvanized angles.  
**#15003**

Related Links:

[V-Loc Anchors & Tools](#)  
[Sign Posts & Hardware](#)

*Mailboxes  
Not Included*

# CROSSWALK CLOSURE SUPPORT



## CROSSWALK CLOSURE SUPPORT

Crosswalk Closure Supports are used in raised islands or where buildings and/or other obstacles prevent installation of a freestanding sign.

Single Sided System:  
Complete with V-loc, multi-tube, wedge, Type W1 "Crosswalk Closed" sign (24 x 18),  
2 galvanized steel straps, mounting hardware (4-3/8" x 3-1/2" x 7/8" SS bolts, 12-SS  
washers, 6-nylon washers, 6-SS lock nuts)  
**#15049**

Two Sided System:  
Same as above but with two (2) "Crosswalk Closed" signs, 2 additional galvanized  
steel straps and additional hardware (2-3/8" x 7/8" SS bolts, 2-SS washers, 2-nylon  
washers, 2-SS lock nuts)  
**#15048**

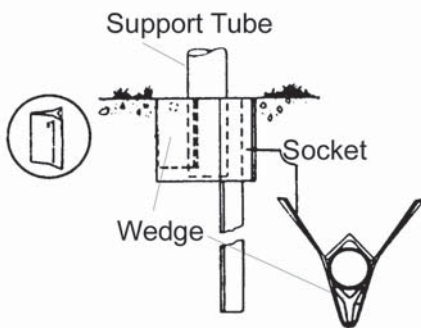


# MAILBOX SUPPORT SYSTEMS

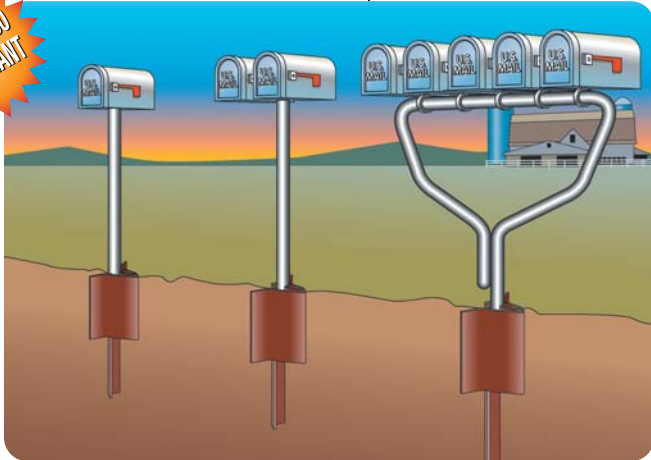
## HOME

## PRODUCTS

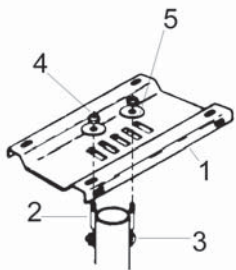
Type 1-S Single Mailbox Support Kit  
 2" O.D. 14 ga. Post 48" long, one 20-VR3 V-Loc socket, one SW-1 wedge. 23lbs.  
**#15006**



**NSRP-350 COMPLIANT**

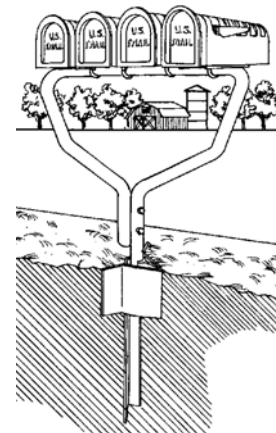


MBB-S Single Mailbox Mounting Bracket Kit  
 For use with Type 1-S Single Mailbox Support System.  
 Adjustable to fit standard rural mailboxes No. 1 (19" x 6.5" x 8.5") and No. 1-A, (21" x 8" x 10.5")

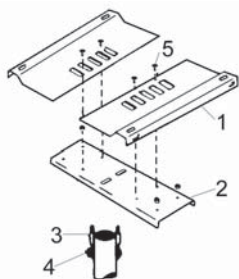


- Contains:
- 2 each – Bracket Halves, galvanized 16 gauge sheet steel
  - 2 each – 5/16" zinc plated spade bolt
  - 1 each – 5/16" x 2.5" zinc plated hex head machine bolt
  - 3 each – 5/16" nylon insert zinc plated hex head lock nut
  - 2 each 5/16" zinc plated flat washers
- #11500601**

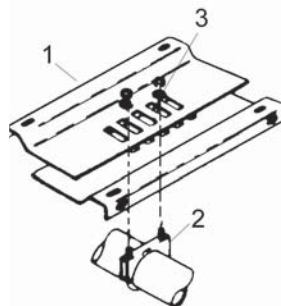
Type 2 Multiple Mailbox Support Kit  
 2" O.D. 14 ga. Formed Post, one 20-VR3 V-Loc socket, one SW-1 wedge 45bs.  
**#15008**



MBB-4 Single Mailbox Mounting Bracket Kit  
 For use with Type 1-S Single Mailbox Support System.  
 Accommodating Large #2 Rural mailbox (23.5" x 11.5" x 13.5")

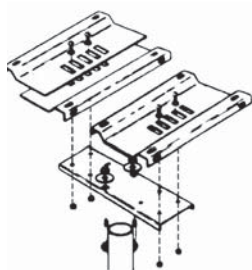


- Contains:
- 2 each – Bracket halves, pre-galvanized 16 gauge sheet steel
  - 1 each – Channel bracket, pre-galvanized 14 gauge sheet steel
  - 2 each – 5/16" zinc plated spade bolt
  - 1 each – 5/16" x 2.5" zinc plated hex head machine bolt
  - 4 each – 5/16" x 1/2" zinc plated truss head machine screws
- Includes other hardware  
**#11500602**



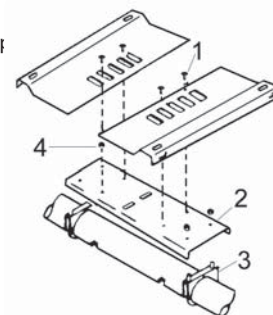
- MBB-M Mailbox Bracket Kit  
 For use with Type 2 Multiple Mailbox Support. Adjustable to fit standard rural mailboxes No. 1, (19" x 6.5" x 8.5") and No. 1-A, (21" x 8" x 10.5")
- Contains:
- 2 each – Bracket halves, galvanized 16 gauge sheet steel.
  - 1 each – 1-7/8" zinc plated u-clamp
  - 2 each – 6/16" zinc plated flat washers
- Includes other hardware  
**#11500801**

Type 1-D Double Mailbox Support Kit  
 2" O.D. 14 ga. Post 48" long, one 20-VR3 V-Loc socket, one SW-1 wedge and one MBB-D double mailbox bracket for two #1 or two #1-A standard rural mailboxes. Size 2 mailbox cannot be mounted on double bracket.  
 26lbs.,  
**#15007**



MBB-5 Mailbox Bracket Kit  
 For use with Type 2 Multiple Mailbox Support  
 For use with Large #2 Rural Mailbox.

- Contains:
- 2 each – Bracket halves, pre-galvanized
  - 1 each – Channel bracket, pre-galvanized 14 gauge sheet steel
  - 2 each – 1-7/8" zinc plated u-clamp
  - 4 each – 5/16" nylon insert zinc plated hex head lock nut.
- Includes other hardware  
**#11500802**



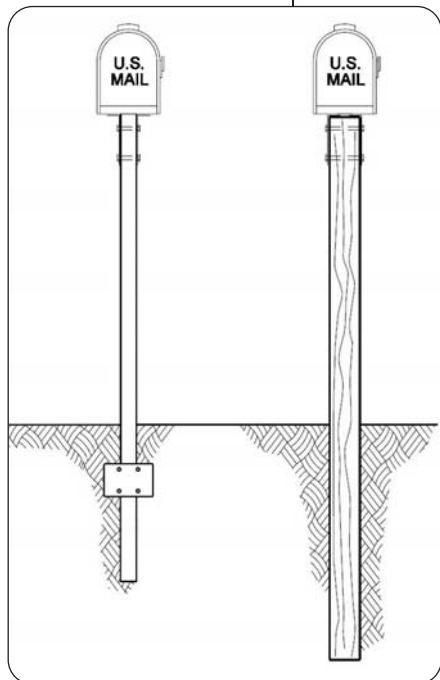
*Mailboxes  
 Not Included*



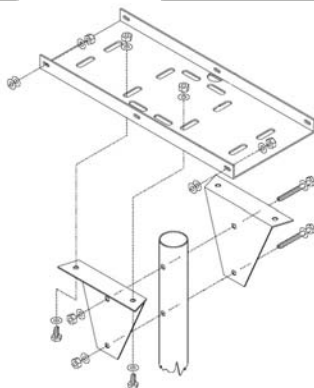
# MAILBOX SUPPORT SYSTEMS

HOME

PRODUCTS



Type 1 Washington Spec Single Mailbox Support Kit  
2" O.D. 14 ga. Post 72" long, twist plate with 2 mounting lamps and hardware.  
#15009

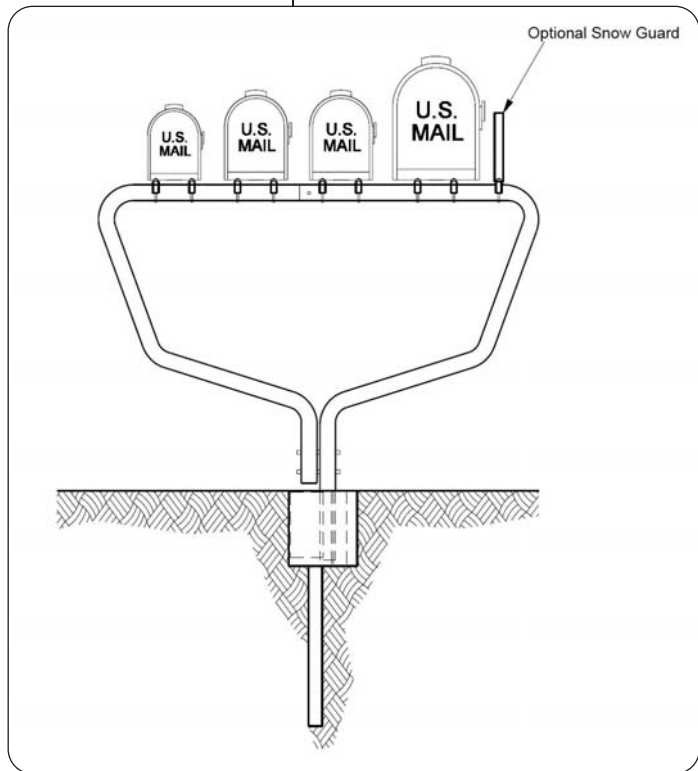
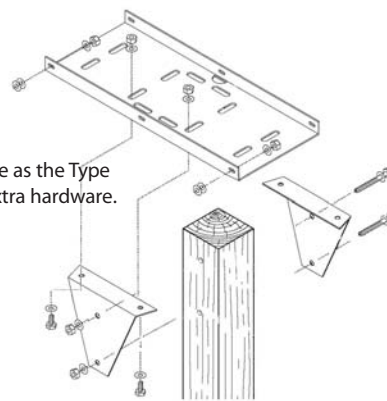


Type 1 Washington Spec Mailbox Platform #1  
Consists of mounting platform size 1 (1), brackets (2), and hardware (2 ea. 3/8 x 2-3/4" and 4 ea. 3/8 x 3/4" bolts with nuts, washers)  
#15020

Type 1 Washington Spec Mailbox Platform #1-A  
Same as the Platform #1 except with size 1-A platform  
#15021

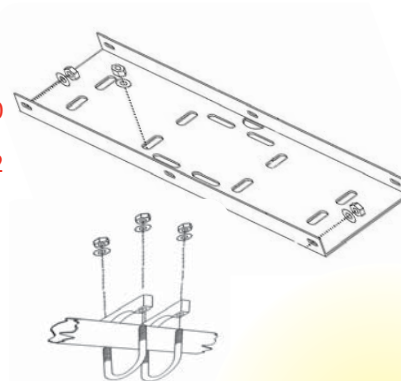
Type 1 Washington Spec Mailbox Platform #2  
Same as the Platform #1 except with size 2 platform  
#15022

Type 1 Washington Spec Wood Post Platform  
For use with 4 x 4 wood post. Platforms are the same as the Type 1 Washington Spec platforms except they contain extra hardware.  
Platform Size 1 #15027  
Platform Size 1-A #15028  
Platform Size 2 #15029

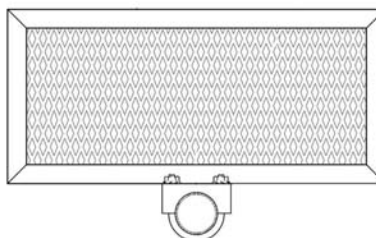


Type 2 Washington Spec Multiple Mailbox Support kit  
2" O.D. 14 ga. Formed Post, one 20-VR3 V-Loc socket, one SW-I wedge 45bs.  
#15008

Type 2 Washington Spec Multiple Mailbox Platform Kit  
Platform Size 1 #15030  
Platform Size 1-A #15031  
Platform Size 2 #15032



*Mailboxes  
Not Included*



Snow Guard  
Contains 1 mounting clamp and hardware  
#15024

